

LAMP AUTONOMOUS BLOCK

DMJ B



sermat **GRÜN**
ex

REV.00/ 12.01.2023

AUTONOMOUS BLOCK LAMP- DMJ B

Technical data

ESPECIFICAÇÕES

TYPE OF PROTECTION	Ex "e" - increased security Ex "m" - encapsulated Ex "q" - immersed in sand Ex "op is" - inherently safe optic radiation Ex "t" - dust ignition protection
MARKING	Ex eb mb q op is IIC T6 Gb (lamps with other power range) Ex tb op is IIIC T77°C Db (lamps with other power range)
AREA OF APPLICATION	Zone 1 Zone 2 Zone 21 Zone 22
INGRESS PROTECTION	IP66W (W: Salt Spray)
TEMPERATURE OF OPERATION (ENVIRONMENT)	-40°C to +50°C (-40°F to 122°F)
CABLES INPUT/OUTPUT	4 inputs/outputs, mounted with 1 to 4 cable glands M20x1.5 or M25x1.5. Cable gland M25x1.5 for cables with Ø 10 mm to Ø 17 mm. Cable gland M20x1.5 for cables with Ø 7 mm to Ø 13 mm. .
OPERATING VOLTAGE	108 / 254 Vac/cc 50 / 60 Hz
CURRENT	max.. 570 mA
POWER	10 W
LUMINOUS FLUX	± 1040 lm
LAMP	LED
WEIGHT	4,0 kg
TIME OF AUTONOMY IN EMERGENCY	180min
CRI	80
VERSIONS	Autonomous Block (DMJ B...)
VIBRATION RESISTANCE	According to ABNT NBR IEC 60598-1
COLOR TEMPERATURE (TCC)	5700 K
SIZES	P: 373mm

CERTIFICATIONS

Segurança



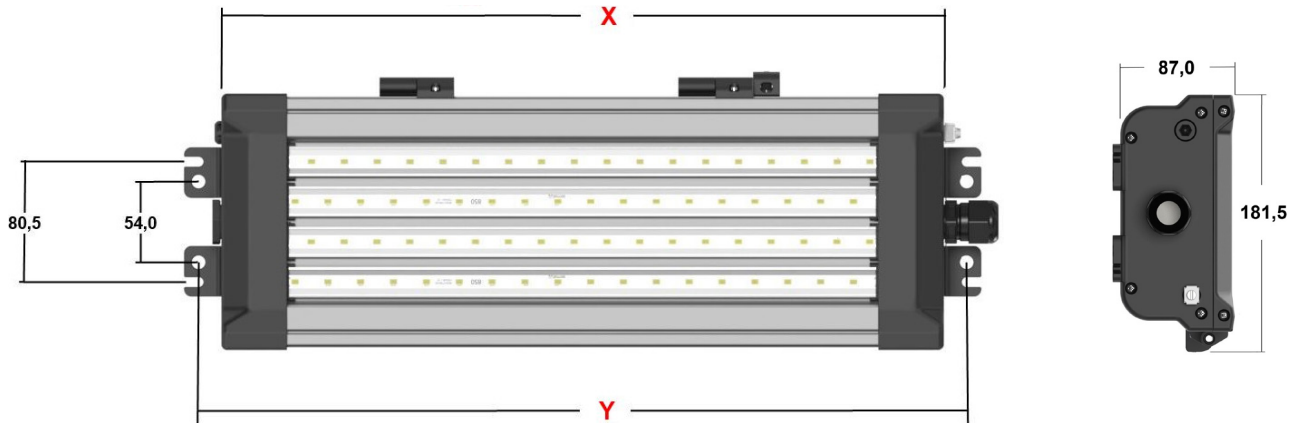
INMETRO

CEPEL 22.2575X

AUTONOMOUS BLOCK LAMP - DMJ B

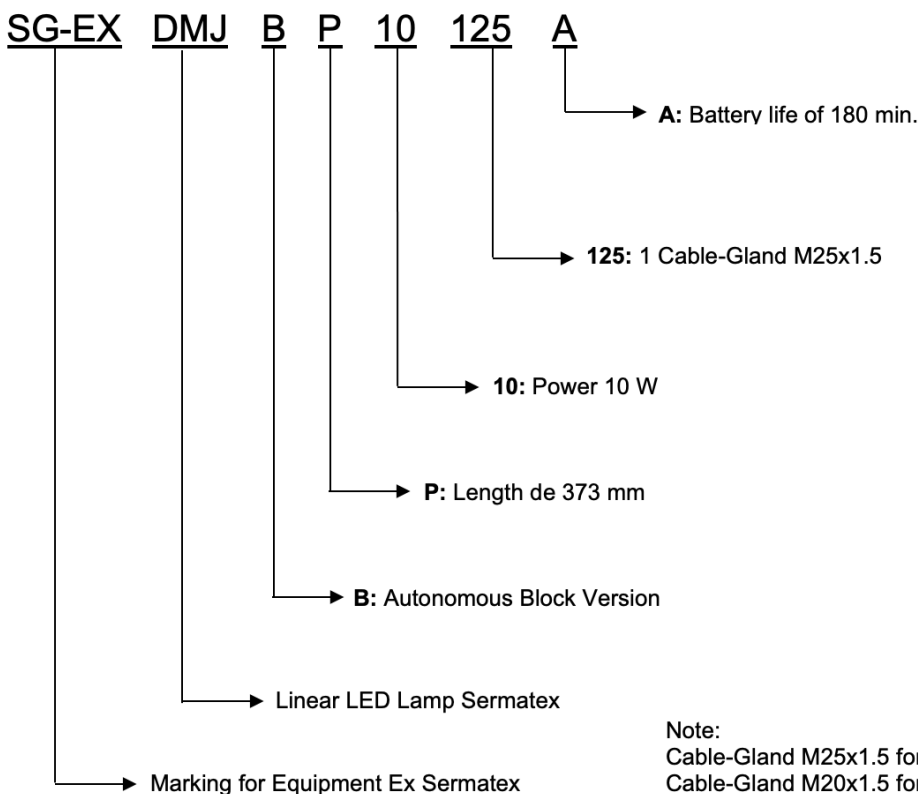
Technical data

DIMENSIONS (MM)



X	Y
373 mm	403 mm

ORDERING CODE

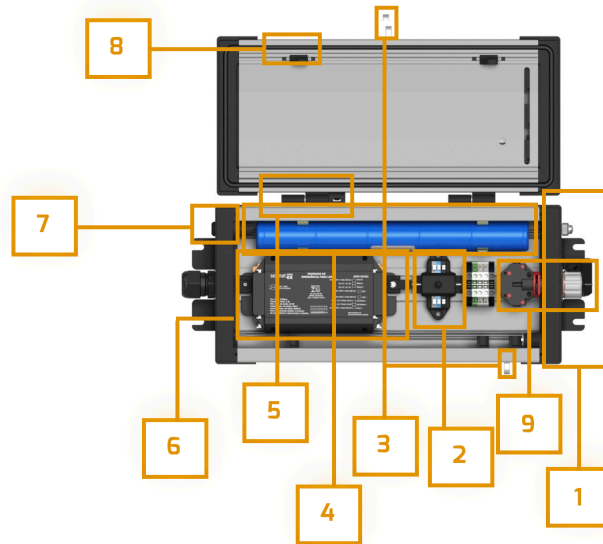


Note:
Cable-Gland M25x1.5 for cables with \varnothing 10 to 17 mm.
Cable-Gland M20x1.5 for cables from \varnothing 7 to 13 mm.

AUTONOMOUS BLOCK LAMP - DMJ B

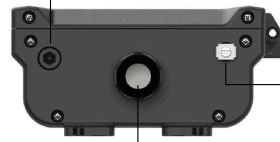
Technical data

FEATURES



1

DEVICE FOR OPENING AND CLOSURE WITH A TOOL, CONNECTED TO A UNMISSABLE BRACELET



GROUNDING TERMINAL

CABLE GLAND EX 'E'

2

MICRO SWITCH - THE LIGHT IS DE-ENERGIZED WHEN THE COVER IS OPENED

3

'DROPS' CONCEPT - PROTECTION AGAINST FALLS

4

BATTERY PACK WITH AUTONOMY OF 90MIN. OR 180MIN.

5

REMOVAL OF THE COVER WITH THE SAME OPENING TOOL

6

INVERTER 'EX'

7

VENT TO AVOID CONDENSATION INSIDE THE LAMP

8

CLOSING WITH QUICK COUPLING

9

ROTARY SWITCH 'EX E'

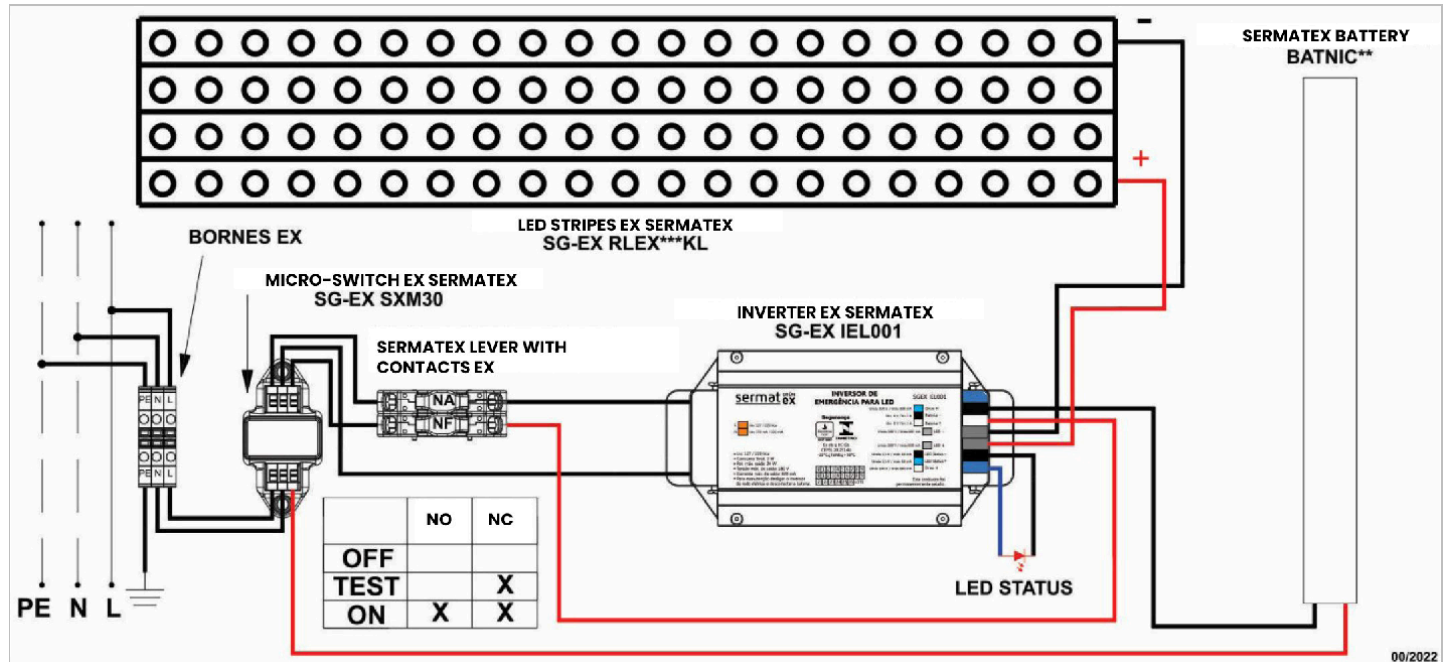
10

MAINTENANCE USING HANDS ONLY

AUTONOMOUS BLOCK LAMP - DMJ B

Technical data

ELECTRICAL SCHEME



AUTONOMOUS BLOCK LAMP - DMJ B

Technical data

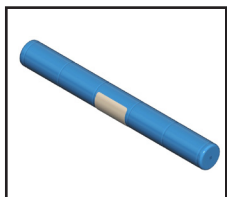
REPLACEMENT ITEMS



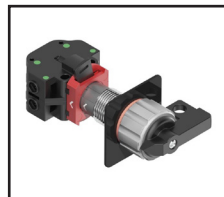
Code: SG-EX IEL001
Description: Inverter Ex 70 W



Code: SG-EX SXM30
Description: 3 NO Micro-Switch Ex



Code: BATNIC03
Description: Battery Pack Auton. 180 min.



Code: SG-EX22GCAGC1A10EX
Description: 1 NO Switch Ex



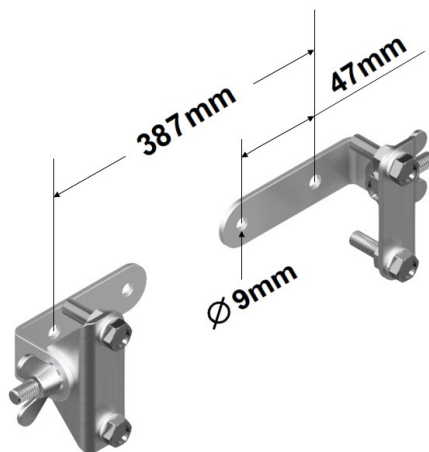
Code: TDMJBPI0
Description: Autonomous Block Lamp Cover with 10 W LED Stripes Ex

AUTONOMOUS BLOCK LAMP - DMJ B

Technical data

 FIXATION BRACKET

BRACKET WITH ADJUSTABLE TILTING FOR WALL FIXING



Code: SUPDMJBAFPA

