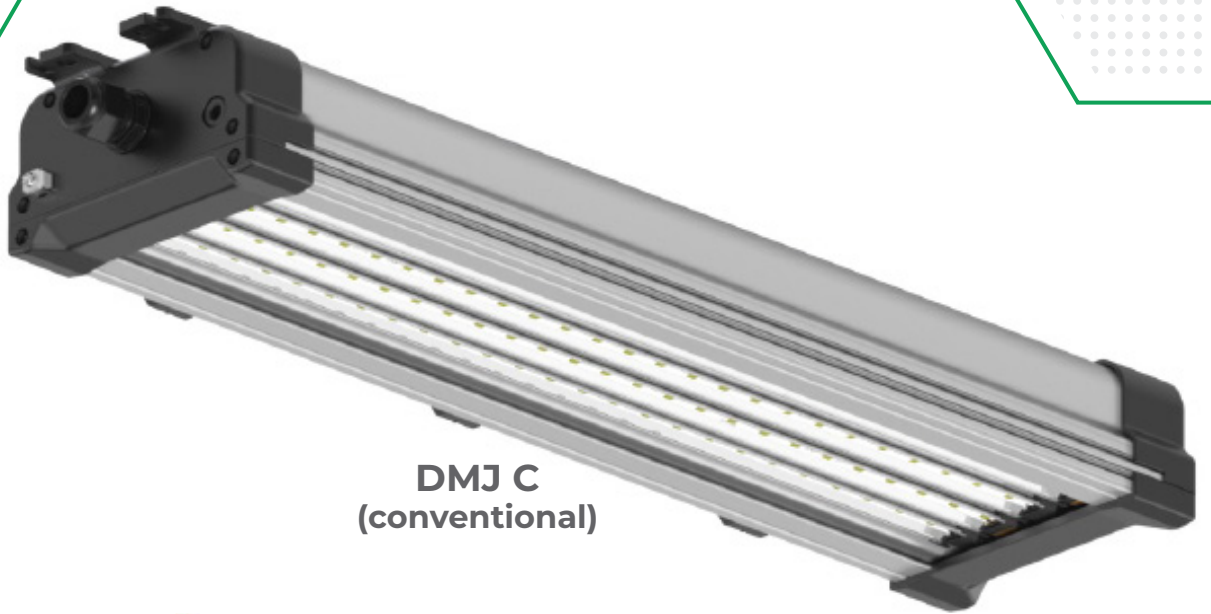
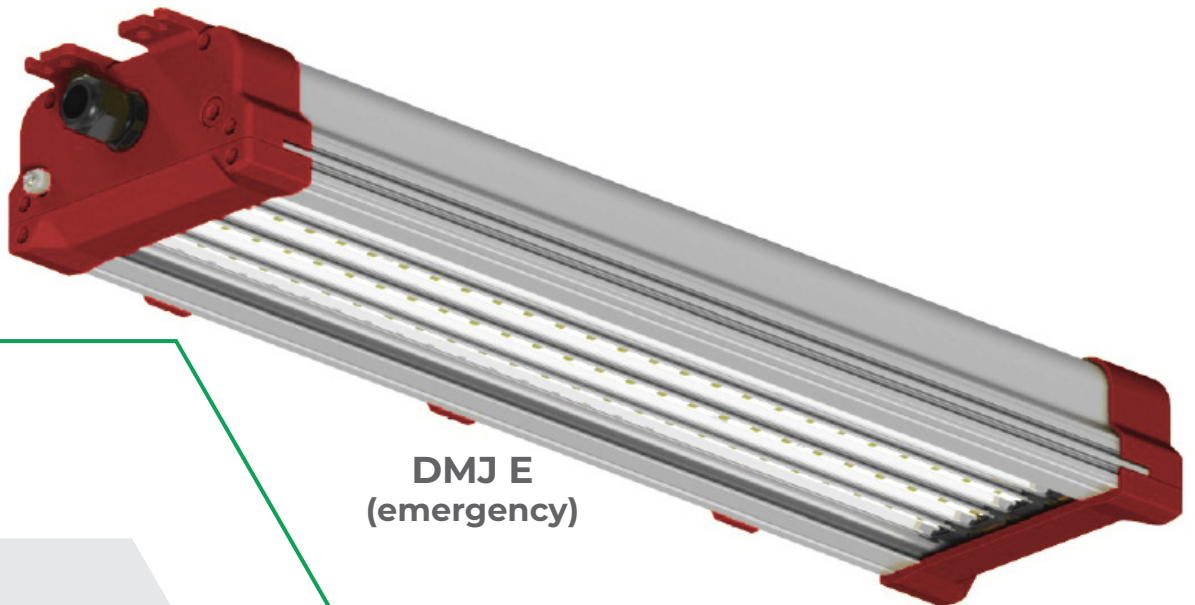


# LED LAMP EX

DMJ C & DMJ E



DMJ C  
(conventional)



DMJ E  
(emergency)



sermat<sup>GRÜN</sup>  
**ex**

REV.00 / 11.01.2023

# LINEAR LED LAMP EX - DMJ C / DMJ E

## Technical data

### SPECIFICATIONS

TYPE OF PROTECTION	Ex "e" - increased safety Ex "m" - encapsulated Ex "q" - immersed in sand Ex "op is" - inherently safe optic radiation Ex "t" - against dust ignition
MARKING	Ex eb mb q op is IIC T5 Gb (60 W lamp) Ex tb op is IIIC T84°C Db (60 W lamp) Ex eb mb q op is IIC T6 Gb (lamps with other power range) Ex tb op is IIIC T77°C Db (lamps with other power range)
AREA OF APPLICATION	Zone 1 Zone 2 Zone 21 Zone 22
INGRESS PROTECTION	IP66W (W: Salt Spray)
OPERATING TEMPERATURE (ENVIRONMENT)	-40°C to +50°C (-40°F to 122°F)
CABLES INPUT/OUTPUT	4 inputs/outputs, mounted with 1 to 4 cable glands M20x1.5 or M25x1.5. M25x1.5 cable gland for cables from Ø 10 mm to Ø 17 mm. M20x1.5 cable gland for cables from Ø 7 mm to Ø 13 mm. In one of the inputs/outputs, hole Ø 17mm, it is possible to mount a PM003 photocell.
OPERATING VOLTAGE RANGE	108 / 254 Vac/cc 50 / 60 Hz
CURRENT	máx. 570 mA
POWER	20 / 30 / 40 / 60 W (Conventional and Emergency)
LUMINOUS FLUX	± 2080 lm (20 W) / ± 3120 lm (30 W) / ± 4160 lm (40 W) / ± 6240 lm (60 W)
LAMP	LED
EMERGENCY LIGHT FLOW	25% of nominal values
AUTONOMY TIME IN EMERGENCY	90 min or 180 min
CRI	80
VERSIONS	Conventional (DMJ C...) / Emergency (DMJ E...)
VIBRATION RESISTANCE	According to ABNT NBR IEC 60598-1
COLOR TEMPERATURE (TCC)	5700 K
SIZES	P: 373 mm (conventional and emergency versions, P: 20 W) M: 660 mm (conventional and emergency versions, 30 and 40 W power) G: 948 mm (conventional and emergency versions, 60 W power)
WEIGHT	20 W: 3,5 kg 30 W: 5,0 kg 40 W: 5,2 kg 60 W: 6,8 kg

### CERTIFICATIONS

### Segurança



OCP 0007



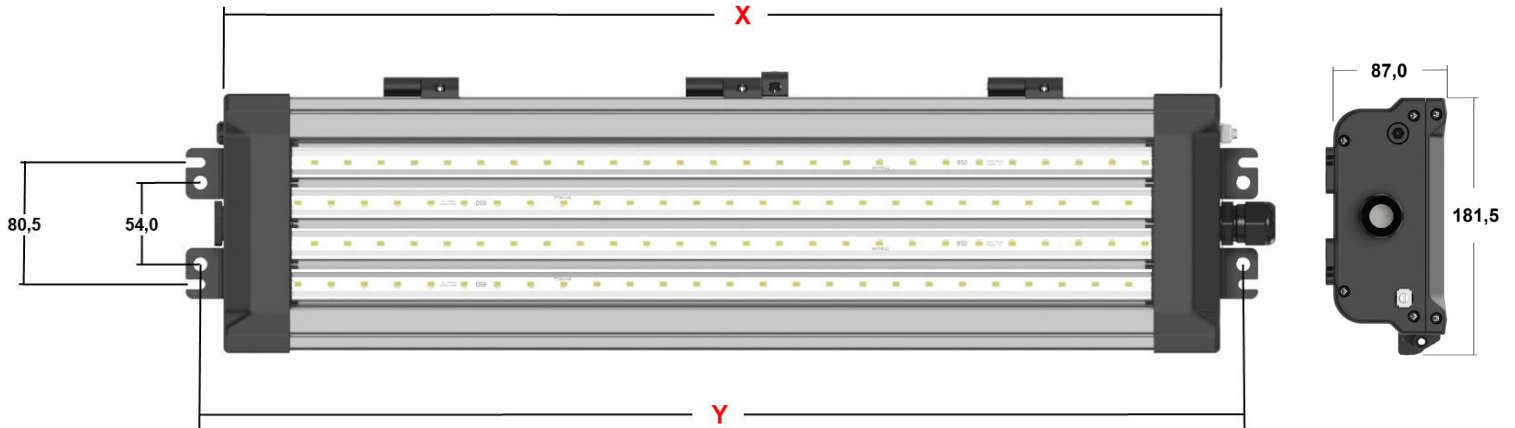
INMETRO

CEPEL 22.2575X

# LINEAR LED LAMP EX - DMJ C / DMJ E

## Technical data

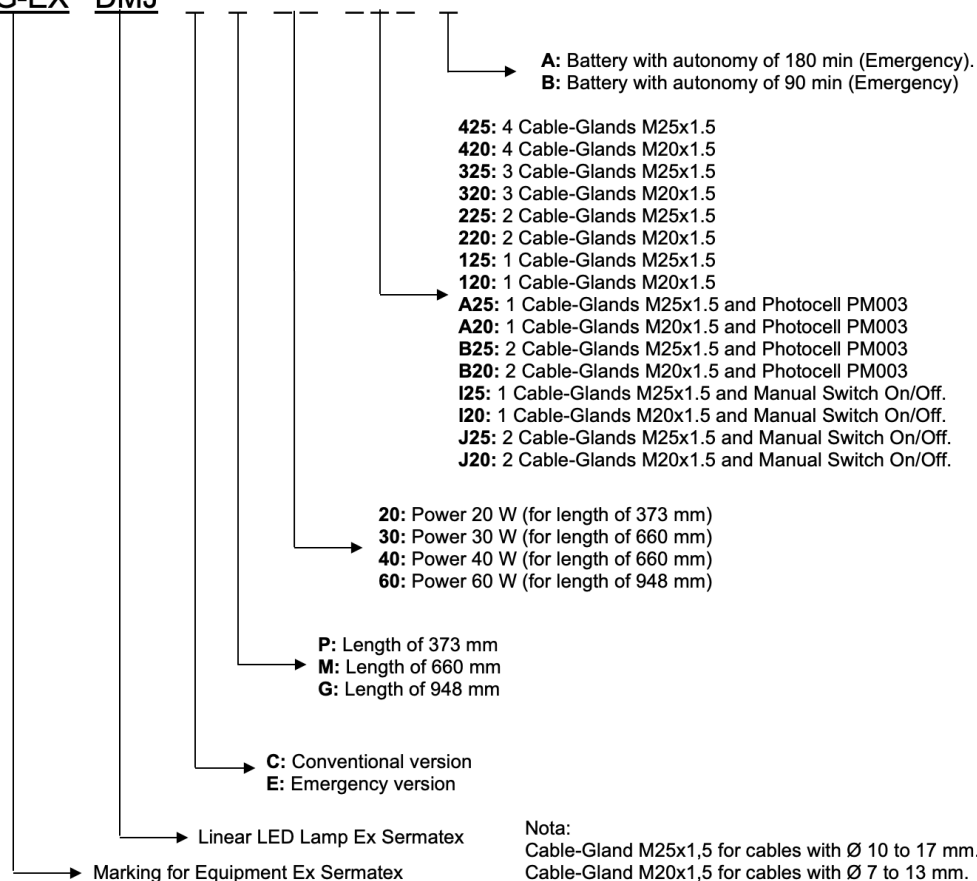
### DIMENSIONS (MM)



X	Y
373 mm	403 mm
660 mm	690 mm
948 mm	978 mm

### ORDERING CODE

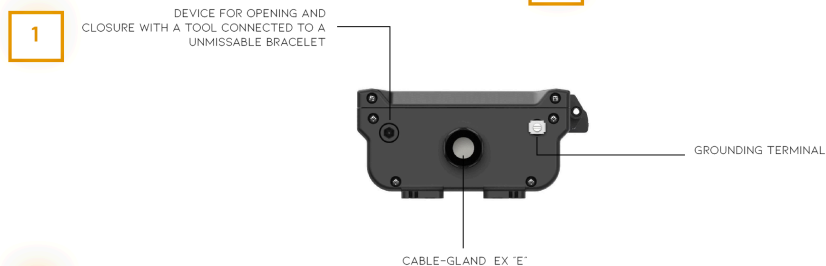
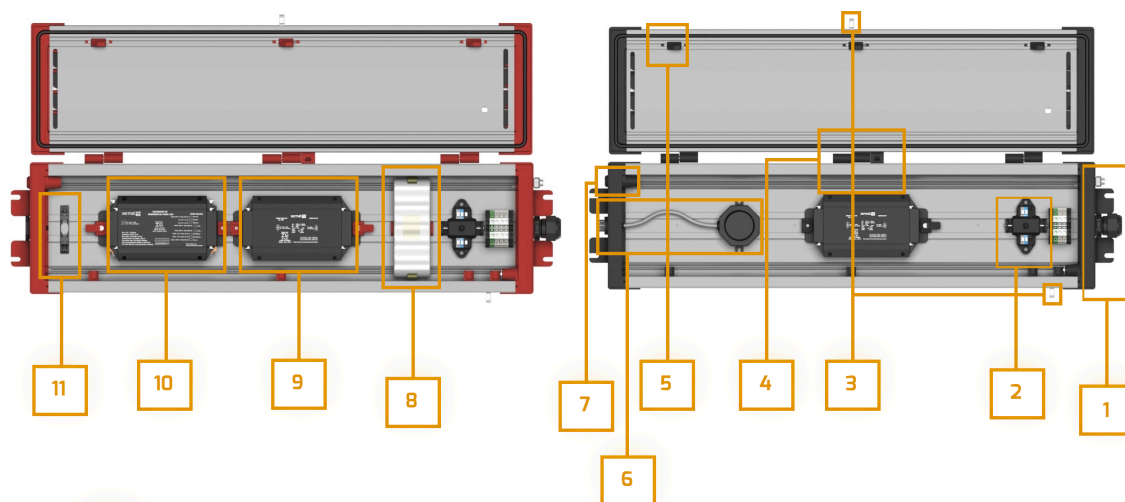
**SG-EX DMJ**



# LINEAR LED LAMP EX - DMJ C / DMJ E

## Technical data

### FEATURES



1 DEVICE FOR OPENING AND CLOSURE WITH A TOOL CONNECTED TO A UNMISSABLE BRACELET

GROUNDING TERMINAL

CABLE-GLAND EX "E"

2 MICRO SWITCH EX - THE LIGHT IS DE-ENERGIZED WHEN THE COVER IS OPENED

3 "DROPS" CONCEPT - FALL PROTECTION

4 REMOVAL OF THE COVER WITH THE SAME OPENING TOOL

5 CLOSING WITH QUICK COUPLING

6 OPTIONAL OUTPUT TO PHOTOCELL PM003



7 VENT TO AVOID CONDENSATION INSIDE THE LIGHT

8 BATTERY PACK WITH AUTONOMY OF 90MIN. OR 180MIN

9 DRIVE EX

10 INVERTER EX

11 CONTACT BLOCK EX SERMATEX

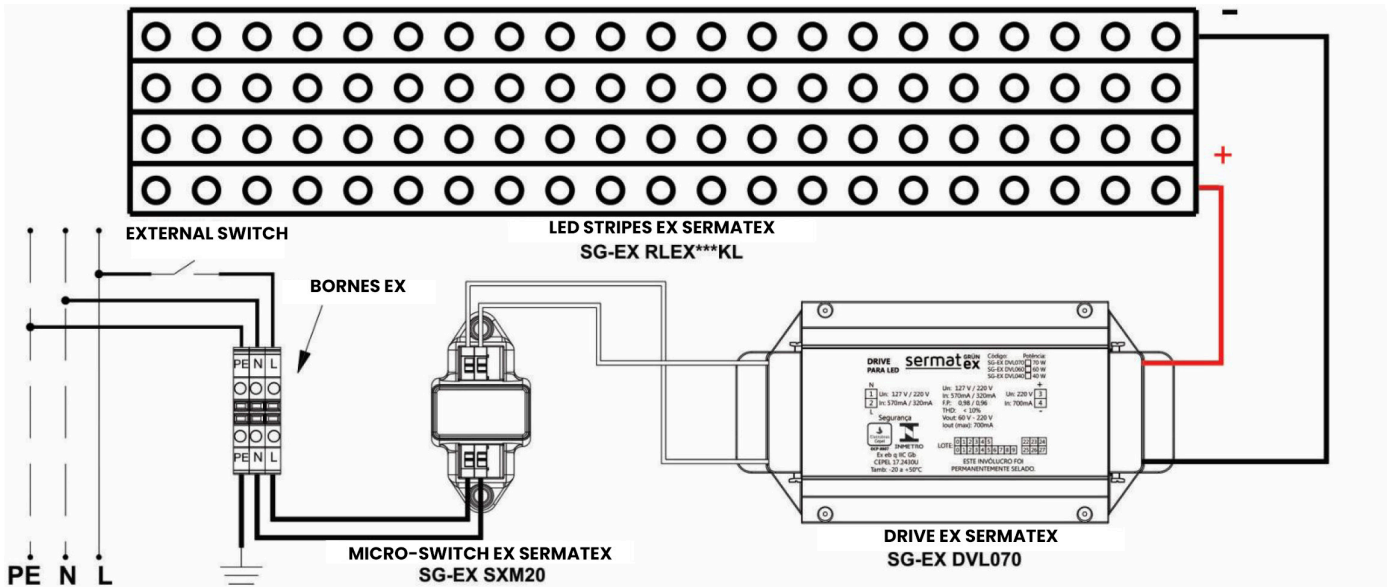
12 MAINTENANCE USING HANDS ONLY

# LINEAR LED LAMP EX - DMJ C / DMJ E

Technical data

## ELECTRICAL SCHEME

### CONVENTIONAL LAMP

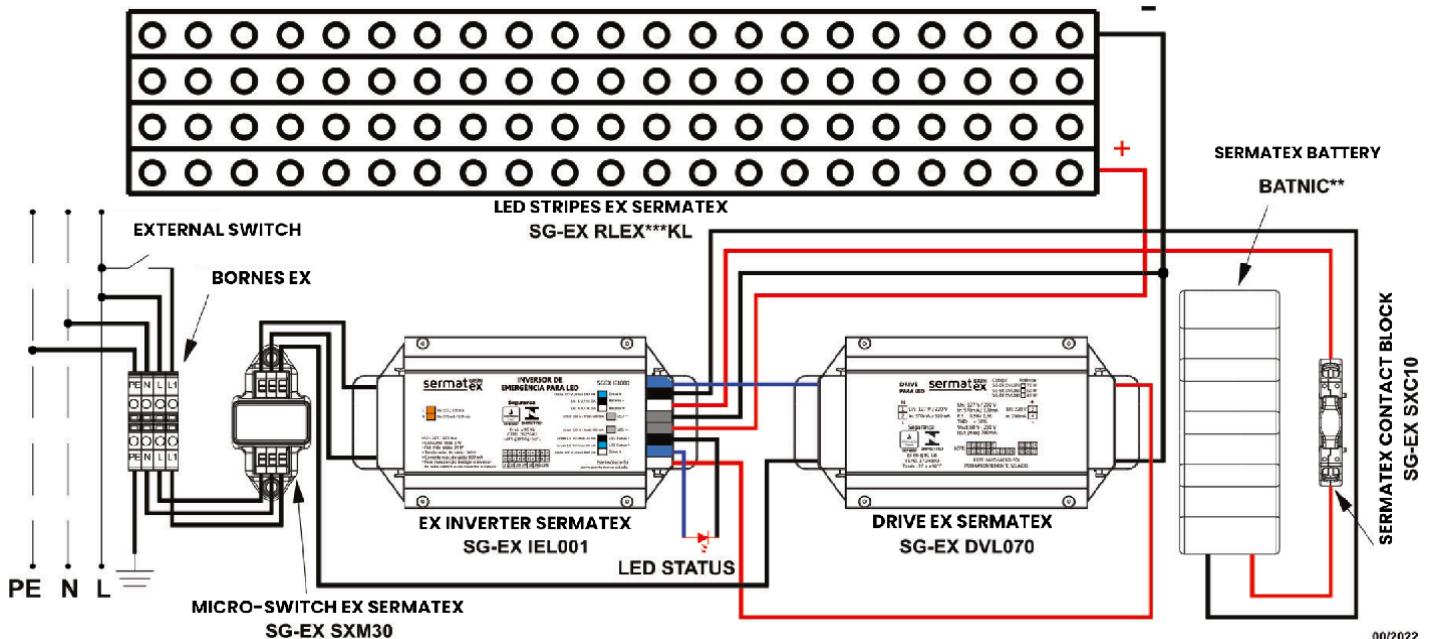


INTERNAL CABLES	
SECTION	MAXIMUM CURRENT
0,5mm <sup>2</sup>	16A

LAMP BORNES		
MAXIMUM VOLTAGE	MAXIMUM CURRENT	CABLE GAUGE
600V	30 A	0,5 to 4mm <sup>2</sup>

00/2022

### EMERGENCY LAMP



INTERNAL CABLES	
SECTION	MAXIMUM CURRENT
0,5mm <sup>2</sup>	16A

LAMP BORNES		
MAXIMUM VOLTAGE	MAXIMUM CURRENT	CABLE GAUGE
600V	30 A	0,5 to 4mm <sup>2</sup>

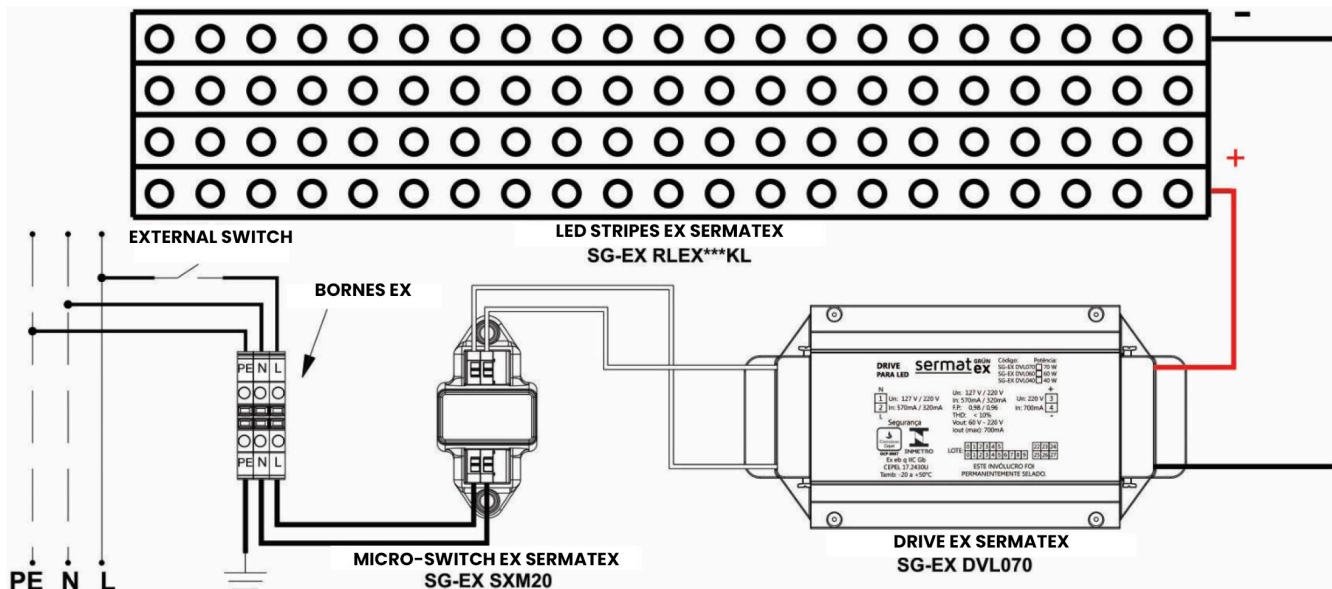
00/2022

# LINEAR LED LAMP EX - DMJ C / DMJ E

Technical data

## ELECTRICAL SCHEME

### CONVENTIONAL LAMP - THROUGH WIRE



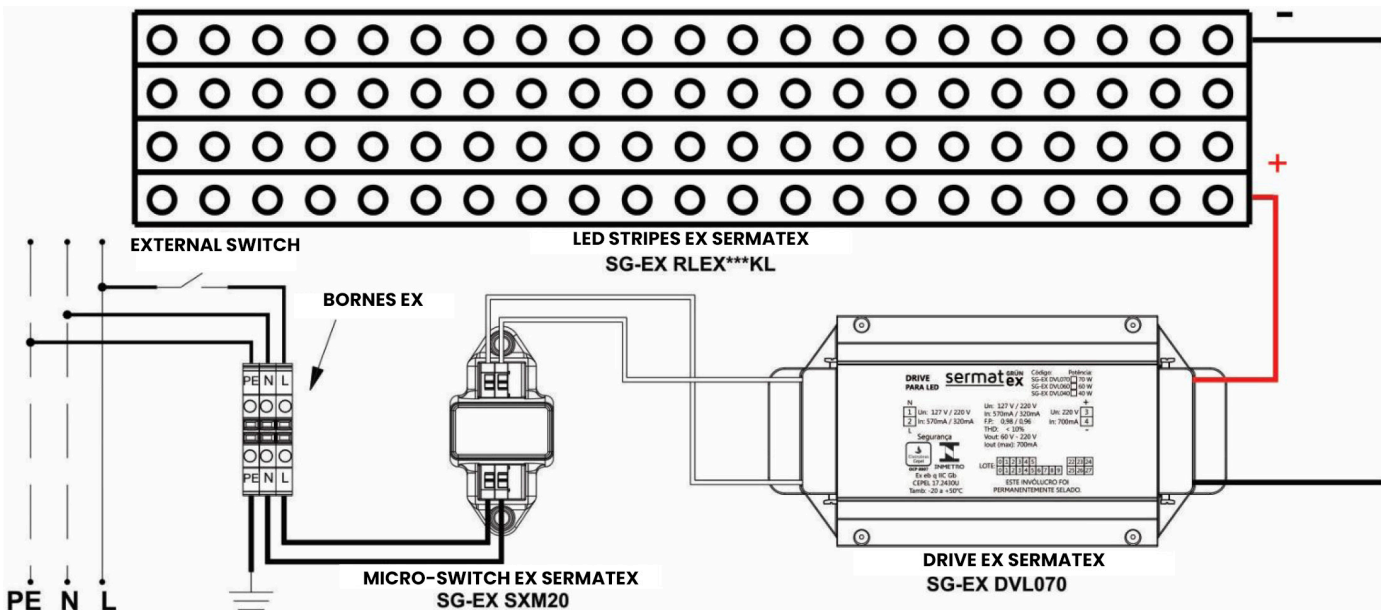
INTERNAL CABLES	
SECTION	MAXIMUM CURRENT
0,5mm <sup>2</sup>	16A

THROUGH WIRE CABLES		
SECTION	MAXIMUM CURRENT	RESISTANCE
	1,45mm <sup>2</sup>	

LAMP BORNES		
MAXIMUM VOLTAGE	MAXIMUM CURRENT	CABLE GAUGE
600V	30 A	0,5 to 4mm <sup>2</sup>

00/2022

### EMERGENCY LAMP - THROUGH WIRE



INTERNAL CABLES	
SECTION	MAXIMUM CURRENT
0,5mm <sup>2</sup>	16A

THROUGH WIRE CABLES		
SECTION	MAXIMUM CURRENT	RESISTANCE
	1,45mm <sup>2</sup>	

LAMP BORNES		
MAXIMUM VOLTAGE	MAXIMUM CURRENT	CABLE GAUGE
600V	30 A	0,5 to 4mm <sup>2</sup>

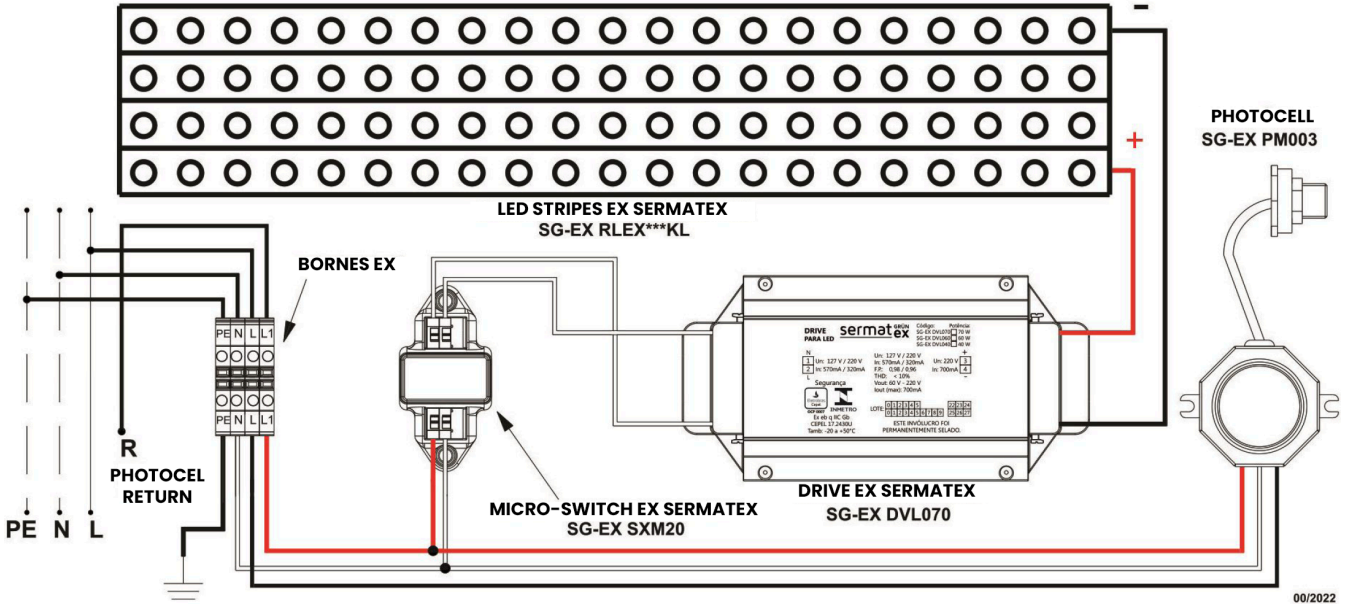
00/2022

# LINEAR LED LAMP EX - DMJ C / DMJ E

Technical data

## ELECTRICAL SCHEME

### CONVENTIONAL LAMP WITH PHOTOCELL



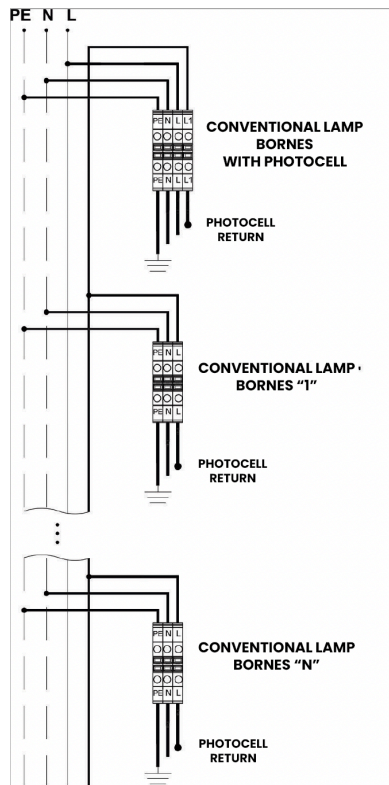
00/2022

INTERNAL CABLES	
SECTION	MAXIMUM CURRENT
0,5mm <sup>2</sup>	16A

THROUGH WIRE CABLES		
SECTION	MAXIMUM CURRENT	RESISTANCE
	1,45mm <sup>2</sup>	28A

LAMP BORNES		
MAXIMUM VOLTAGE	MAXIMUM CURRENT	CABLE GAUGE
600V	30 A	0,5 to 4mm <sup>2</sup>

### LAMP INTERCONNECTION WITH PHOTOCELL SWITCHING



	MAXIMUM NUMBER OF INTERCONNECTED LAMPS WITH PHOTOCELL SWITCHING	
	127V	220V
20W	34	60
30W	23	40
40W	17	30
60W	11	20

# LINEAR LED LAMP EX - DMJ C / DMJ E

## Technical data

### ITENS DE REPOSIÇÃO

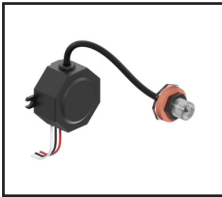
#### LUMINÁRIA CONVENCIONAL



Code: SG-EX DVL070  
Description: Drive Ex 70 W



Code: SG-EX SXM20  
Description: Micro-Switch Ex 2 NO



Code: SG-EX PM003  
Description: Photocell Ex



Code: TDMJCP20 (20 W) / TDMJCM30 (30 W) / TDMJCM40 (40 W) / TDMJCG60 (60 W)  
Description: Conventional Lamp Cover with LED Strip Ex (20 W, 30 W, 40 W or 60 W)

#### LUMINÁRIA DE EMERGÊNCIA



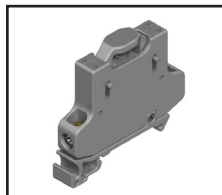
Code: SG-EX DVL070  
Description: Drive Ex 70 W



Code: SG-EX SXM30  
Description: Micro-Switch Ex 3 NO



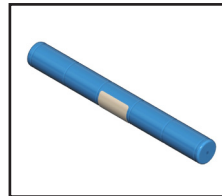
Code: SG-EX IEL001  
Description: Inverter Ex 70 W



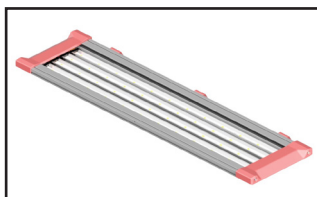
Code: SG-EX SXC10  
Description: Contact Block Ex 1 NO



Code: BATNIC02  
Description: Battery Pack Auton. 90 min.



Code: BATNIC03  
Description: Battery Pack Auton. 180 min.



Code: TDMJEP20 (20W) / TDMJEM30 (30W) / TDMJEM40 (40W) / TDMJEG60 (60W)  
Description: Emergency Cover Lamp with LED Ex Strip (20 W, 30 W, 40 W ou 60 W)

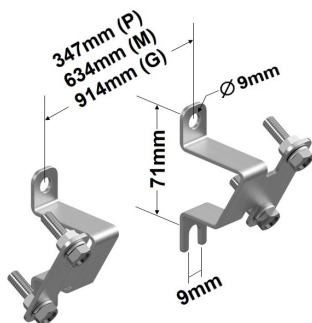


# LINEAR LED LAMP EX - DMJ C / DMJ E

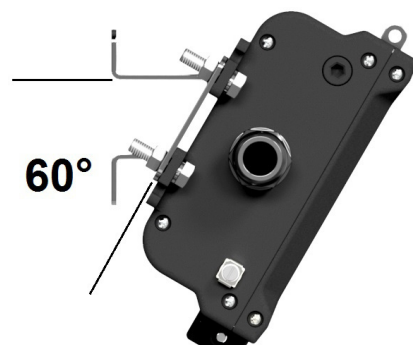
## Technical data

### FIXING BRACKETS

#### WALL FIXING



Code: SUPDMJCEFPA



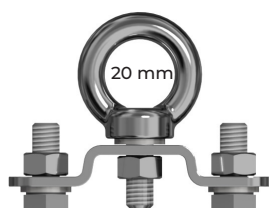
#### CEILING FIXATION BY THE RAIL



Code: SUPDMJCEFTT



#### CEILING FIXATION THROUGH AN EYE-HOLDER



Code: SUPDMJCEFTO



#### POST FIXATION



Code: SUPDMJCEFPO

