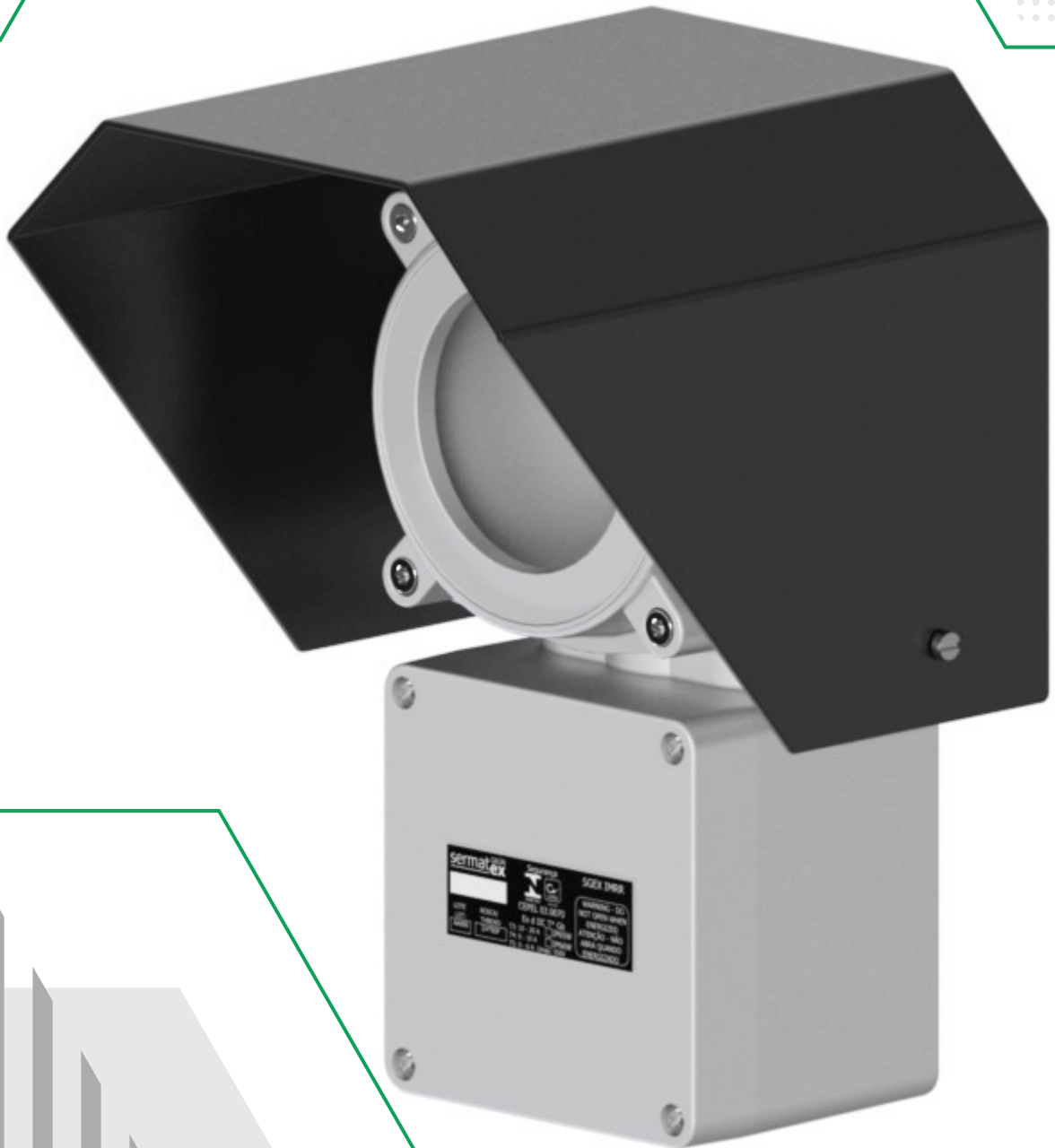


# PRESENCE SENSOR

IMRRSP



sermat<sup>GRÜN</sup>ex

REV.02 / 15.06.2021

# PRESENCE SENSOR - IMRRSP

## Technical Data

### SPECIFICATIONS

|                                |  |
|--------------------------------|--|
| TYPE OF PROTECTION             | Ex "d" - flameproof<br>Ex "e" - increased safety<br>Ex "tb" - dust ignition protection |
| MARKING                        | Ex de IIC T6 Gb<br>Ex tb IIIC T85°C Db   |
| AREA OF APPLICATION            | Zone 1<br>Zone 2<br>Zone 21<br>Zone 22   |
| INGRESS PROTECTION             | IP66   |
| TEMPERATURE CLASS              | T6   |
| WORK FREQUENCY                 | 10 GHz   |
| TYPICAL RADIATED POWER         | 16 dBm   |
| MAXIMUM RADIATED POWER         | 20 dBm   |
| MAXIMUM RADIATED POWER DENSITY | < 4 mW/cm <sup>2</sup> (glass face of the enclosure)                                   |
| REACH / SENSITIVITY            | High / Low (selection jump)  |
| TIMING                         | Adjustable: 2 s / 1 min / 4 min. (selection jump)                                      |
| PHOTOCELL                      | Yes - 10 lux, with jump enable.  |
| CONSUMPTION                    | < 1 W (typical)  |
| WORK TEMPERATURE               | -20°C to +60°C   |
| WORKING VOLTAGE                | 100 Vac to 240 Vac - 50/60Hz (Automatic)   |
| MAXIMUM OUTPUT POWER           | up to 600 W / 127 V or 900 W / 220 V (Resistive)                                       |
| OUTPUT MODE                    | Dry Contact SPDT (C, NA, NF) through terminal block                                    |
| PROTECTIONS                    | Over input voltage and abnormal heating  |
| CERTIFICATIONS                 |  |

Segurança



INMETRO

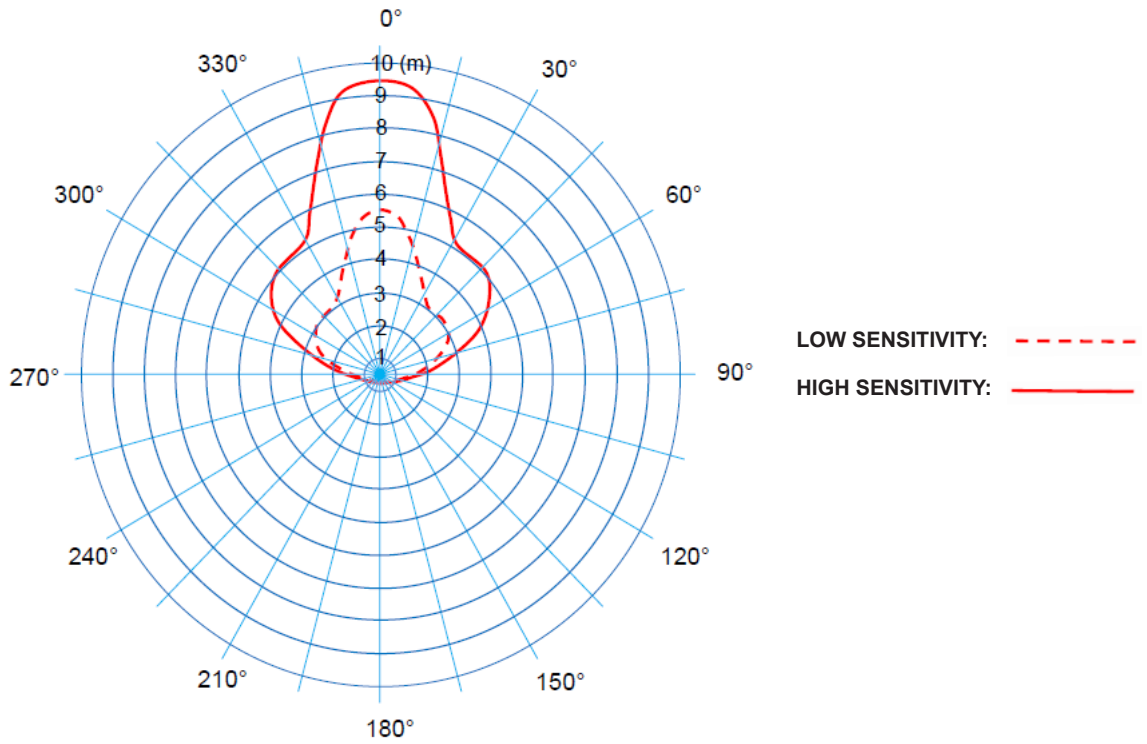
CEPEL 03.0070

# PRESENCE SENSOR - IMRRSP

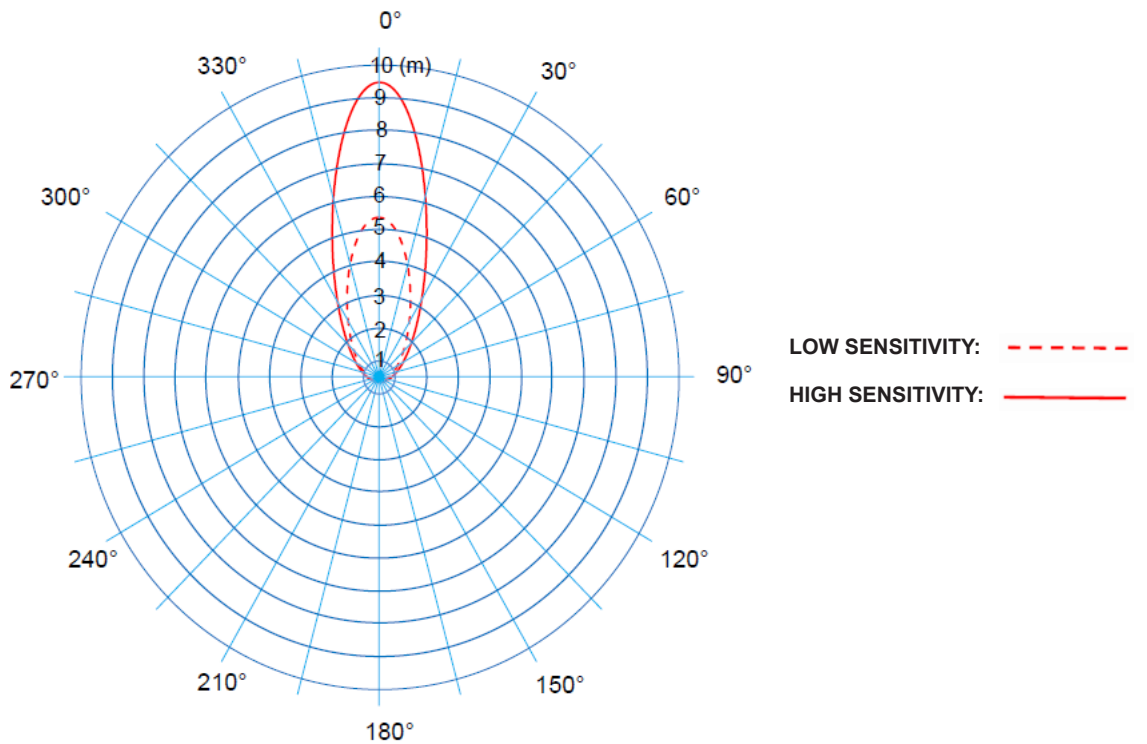
## Technical Data

### COVERED AREA

#### TOP VIEW - HORIZONTAL



#### SIDE VIEW - VERTICAL

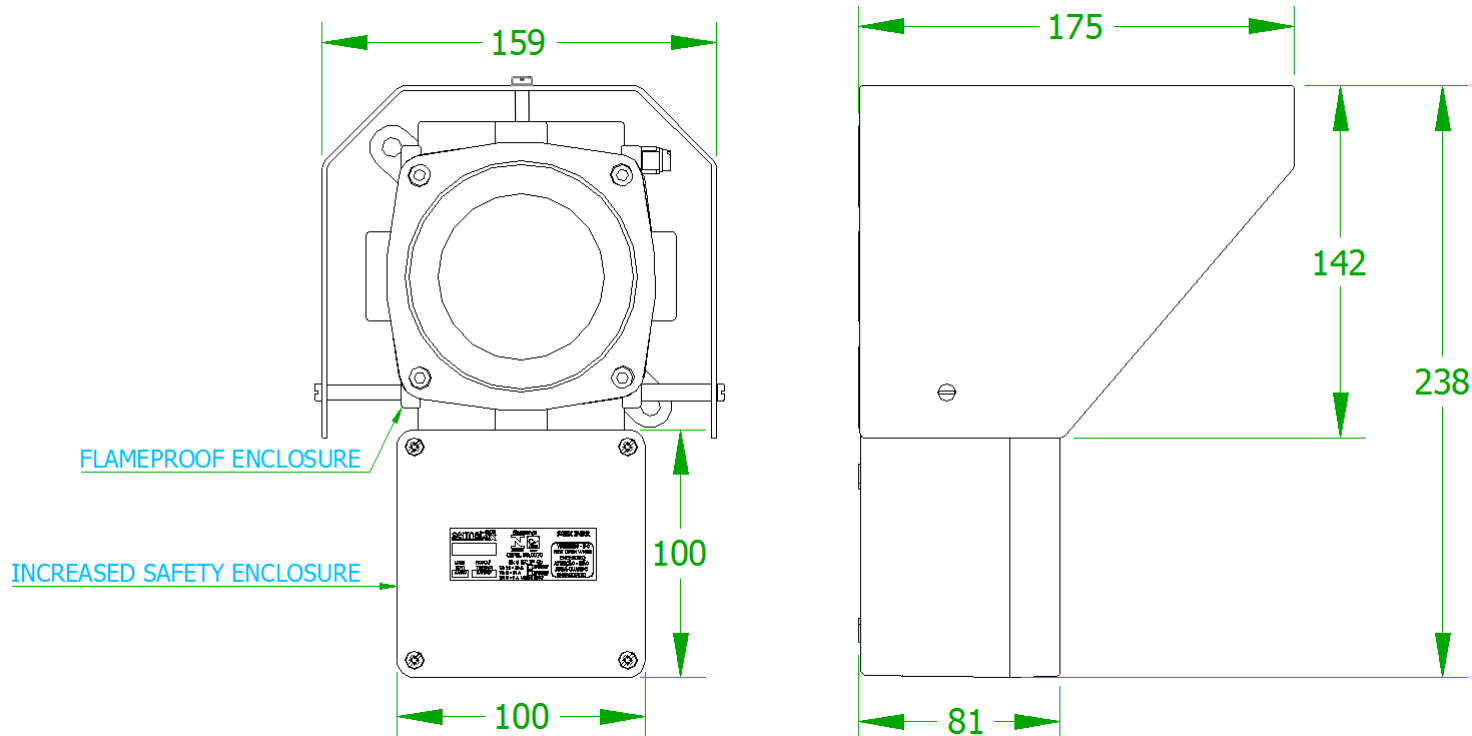


# PRESENCE SENSOR - IMRRSP

## Technical Data

### DIMENSIONS

#### IMRRSP



Dimensions in mm.